

Taikan
TAIKAN VERTICAL
MACHINING
CENTER

**HIGH-END INTELLIGENT
EQUIPMENT INTEGRATED
SOLUTIONS SERVICE PROVIDER**

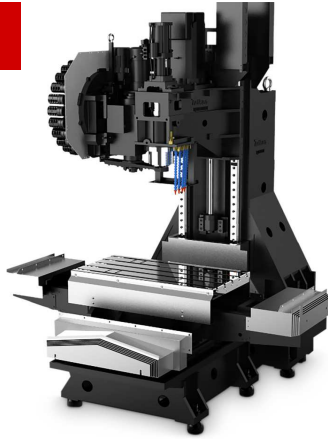
TAIKAN VERTICAL

MACHINING CENTER

HIGH SPEED AND HIGH EFFICIENCY VERTICAL MACHINING CENTER

Taikan

T-V856S



T-V856S linear guide type vertical machining center is a small and medium sized machine tool, which can automatically and continuously finish milling, drilling, boring, expanding, stranding, tapping and other processes after a clamping. The machine tool is suitable for small and medium-size box type, plate type, valve type, shell type, mold and other complex parts in a variety of small and medium size batch processing. The machine tool adopts high precision wire rail and screw rod, machine tool has better dynamic response, high-speed cutting and low-speed non creeping and is widely used in 5g, precision parts, 3C products, hardware, auto parts, and medical equipment industries.

ITEM	T-V6	T-V856S	T-V1055S	T-V1165S	T-V1265S	T-V1270
BT40 BELT TYPE 8000rpm	/	OPT	OPT	OPT	OPT	OPT
BT40 BELT TYPE 10000rpm	/	OPT	OPT	OPT	OPT	OPT
BT40 DIRECT TYPE 12000rpm	STANDARD	STANDARD	STANDARD	STANDARD	STANDARD	STANDARD
BT40 DIRECT TYPE 15000rpm	OPT	OPT	OPT	OPT	OPT	OPT
BBT40 Motorized spindle 15000rpm	OPT	OPT	OPT	OPT	OPT	OPT
HSK-A63 motorized spindle 20000rpm	/	OPT	OPT	OPT	OPT	OPT
CTS 2MP/5MP	OPT	OPT	OPT	OPT	OPT	OPT
Mitsubishi M80B	STANDARD	STANDARD	STANDARD	STANDARD	STANDARD	STANDARD
FANUC 0i-MF(S)	OPT	OPT	OPT	OPT	OPT	OPT
SIEMENS 828D	OPT	OPT	OPT	OPT	OPT	OPT
HUAZHONG CNC	OPT	OPT	OPT	OPT	OPT	/
THE-4TH AXIS	OPT	OPT	OPT	OPT	OPT	OPT
ROOLER GUIDE	/	STANDARD	STANDARD	OPT	OPT	STANDARD
24T ARM TYPE ATC	STANDARD	STANDARD	STANDARD	STANDARD	STANDARD	STANDARD
30T ARM TYPE ATC	/	OPT	OPT	OPT	OPT	OPT
OIL COOLER	STANDARD	STANDARD	STANDARD	STANDARD	STANDARD	STANDARD

ITEM	T-V1375S	T-V1475S	T-V1585S	T-V1685S
BT50 BELT TYPE 6000rpm	STANDARD	STANDARD	STANDARD	STANDARD
BT50 DIRECT TYPE 8000RPM	OPT	OPT	OPT	STANDARD
BT50 MOTORIZED SPINDLE 8000RPM	OPT	OPT	OPT	OPT
HSK-A100MOTORIZED SPINDLE 12000RPM	OPT	OPT	OPT	OPT
BBT40 MOTORIZED 15000RPM	OPT	OPT	OPT	OPT
HSK-A63 MOTORIZED 18000RPM	OPT	OPT	OPT	OPT
BT50 gear head	OPT	OPT	OPT	OPT
CTS 2MP/5MP	OPT	OPT	OPT	OPT
FANUC 0i-MF(S)	STANDARD	STANDARD	STANDARD	STANDARD
MITSUBISHI M80B	OPT	OPT	OPT	OPT
The 4th axis	OPT	OPT	OPT	OPT
24T ARM type ATC	STANDARD	STANDARD	STANDARD	STANDARD
OIL COOLER	STANDARD	STANDARD	STANDARD	STANDARD

Item	Des	单位	T-V6	T-V856S	T-V1055S	T-V1165S	T-V1265S	T-V1270	T-V1375S	T-V1475S	T-V1585S	T-V1685S
Traveling	X axis	mm	600	800	1000	1100	1200	1200	1300	1400	1500	1650
	Y axis	mm	390	550	550	550	650	700	750	750	850	850
	Z axis	mm	450	600	600	580	580	650	650	650	720	720
Working table	The distance from spindle end face to working table	mm	190-640	125-725	125-725	140-720	140-720	150-800	120-770	120-770	120-840	120-840
	Working table size	mm	700*400	1000*500	1100*500	1200*600	1300*600	1300*650	1400*750	1500*750	1600*850	1750*850
	Maximum loading	kg	300	450	450	800	800	1000	1250	1250	1750	1750
Spindle	Max spindle speed	rpm	Direct type12000	Direct type12000	Direct type12000	Direct type12000	Direct type12000	Direct type12000	Belt type6000	Belt type6000	Belt type6000	Belt type6000
	Spindle power	kw	3.7/5.5	7.5/11	7.5/11	7.5/11	7.5/11	7.5/11	15/18.5	15/18.5	15/18.5	15/18.5
	Tool magazine capacity	/	24	24	24	24	24	24	24	24	24	24
Guide	X axis	/	2-25	2-35	2-45	2-45	2-45	2-45	2-45	2-45	2-45	2-45
	Y axis	/	2-30	2-45	2-45	2-45	2-45	2-45	4-45	4-45	4-45	4-45
	Z axis	/	2-35	2-45	2-45	2-45	2-45	2-45	2-45	2-45	2-45	2-45
	Spindle taper	/	BT40	BT40	BT40	BT40	BT40	BT40	BT40	BT50	BT50	BT50
Tool	Maxi tool dia. (With/without adjacent tool)	mm	φ75/φ150	φ75/φ150	φ75/φ150	φ75/φ150	φ75/φ150	φ75/φ150	φ105/φ210	φ105/φ210	φ105/φ210	φ105/φ210
	Maxi tool length	mm	250	250	250	250	250	250	300	300	300	300
	Max tool weight	kg	7	7	7	7	7	7	18	18	18	18
Feeding rate	x/y/z rapid speed rate	m/min	48/48/48	48/48/48	48/48/48	36/36/36	36/36/36	36/36/36	24/24/16	24/24/16	24/24/16	24/24/16
	x/y/z feeding rate	mm/min	1-10000	1-10000	1-10000	1-10000	1-10000	1-10000	1-10000	1-10000	1-10000	1-10000
Accuracy	Positioning accuracy	mm	0.005	0.008	0.008	0.010	0.010	0.010	0.012	0.012	0.015	0.015
	Repeatability	mm	0.003	0.005	0.005	0.007	0.007	0.007	0.008	0.008	0.008	0.008
Size	Machine size (length*width*height)	mm	2100*2580*2670	2240*3100*2900	2500*3100*2900	2700*3300*2950	3000*3300*2950	3000*3400*3160	3900*2840*3320	3900*2840*3320	4290*3120*3350	4290*3120*3350
	Machine weight	kg	3500	5200	5800	7200	7500	8000	11000	11500	13000	13500
Power source	Power supply (380VAC,50HZ)	KVA	15	25	25	30	30	30	40	40	40	40
	flow	L/min	280(ANR)	280(ANR)	280(ANR)	280(ANR)	280(ANR)	280(ANR)	280(ANR)	280(ANR)	280(ANR)	280(ANR)
	pressure	MPa	0.5-0.8	0.5-0.8	0.5-0.8	0.5-0.8	0.5-0.8	0.5-0.8	0.5-0.8	0.5-0.8	0.5-0.8	0.5-0.8

Agent

TRUE TECH MACHINERY CO.,LTD.

288 Bangkhuntien-Chaitalay Rd. Samaedam Bangkhuntien Bangkok 10150 Thailand. Fax : 02-892-0044 Tel : 02-892-1588

E-mail: marketing@truetechmachinery.co.th

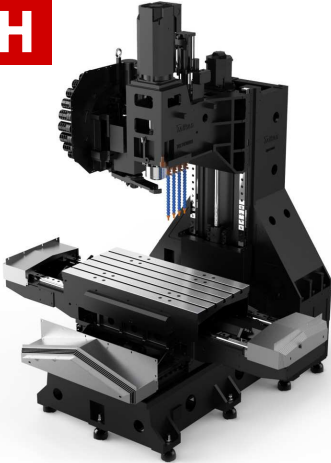
TAIKAN VERTICAL

MACHINING CENTER

HIGH SPEED AND HIGH EFFICIENCY VERTICAL MACHINING CENTER

Taikan

T-V1165H



The three-axis screw adopts the central oil cooling and double nut configuration to eliminate the hot extension and reverse clearance of the screw, thus improving the processing accuracy of the product. As the screw rod is fully cooled, the wear caused by heating is reduced, the service life of the screw rod is improved, and the stability of the machine is improved.

The three-axis adopts No. 45 roller linear guide rail, which has high rigidity and good vibration absorption effect, can meet the needs of light tool surface for precision molds.

ITEM	T-V856H	T-V1165H	ITEM	T-V1375H	T-V1585H
BT40 belt type 8000rpm	OPT	OPT	BT50 belt type 6000rpm	STANDARD	STANDARD
BT40 belt type 10000rpm	OPT	OPT	BT50 direct type 8000rpm	OPT	OPT
BT40 direct type 12000rpm	STANDARD	STANDARD	BT50 electric 8000rpm	OPT	OPT
BT40 electric 15000rpm	OPT	OPT	BT40 electric 15000rpm	OPT	OPT
HSK-A63 electric 20000rpm	OPT	OPT	HSK-A63 electric 18000rpm	OPT	OPT
CTS 20MP/5MP	OPT	OPT	BT50 gear head	OPT	OPT
Mitsubishi M80A	STANDARD	STANDARD	CTS 20MP/5MP	OPT	OPT
FANUC0I-MF(3 or 5)	OPT	OPT	Mitsubishi M80A	OPT	OPT
Siemens828D	OPT	OPT	FANUC0I-MF(3 or 5)	STANDARD/OPT	STANDARD/OPT
4th axis	OPT	OPT	Siemens828D	OPT	OPT
Roller linear rail	STANDARD	STANDARD	4th axis	OPT	OPT
24TDISC tool magazineBT40	STANDARD	STANDARD	Roller linear rail	STANDARD	STANDARD
30TDISC tool magazineBT40	OPT	OPT	24TDISC tool magazineBT50	STANDARD	STANDARD
Spindle cooling	STANDARD	STANDARD	Spindle cooling	STANDARD	STANDARD
Screw center cooling	STANDARD	STANDARD	Screw center cooling	STANDARD	STANDARD

Constant temperature cooling design of nose end spindle, low temperature rise, good thermal extension.

Equipped with high-speed and high-precision M80A, or FANUC (package 3 or 1) with mold function, it can meet the requirements of complex surface machining.

The spindle adopts BBT form (optional), the end face and the radial force are simultaneously stressed, which increases the cutting rigidity of the tool.

Schneider for electrical components, SMC brand for pneumatic components in Japan.

The tool magazine is controlled by encoder, with stable performance, fast tool changing speed and tool setting for 1.2 seconds.

Item	Parameter	Unit	T-V856H	T-V1165H	T-V1375H	T-V1585H
Traveling	X axis	mm	800	1100	1300	1500
	Y axis	mm	550	650	750	850
	Z axis	mm	600	580	650	720
	The distance from spindle end face to working table	mm	125-725	140-720	120-770	100-820
Working table	Working table size	mm	1000*500	1300*600	1400*750	1600*850
	Maximum loading	kg	450	800	1250	1750
	Max spindle speed	rpm	Direct type12000	Direct type12000	Belt type6000	Belt type6000
Spindle	Spindle power	kw	7.5/11	7.5/11	15/18.5	15/18.5
	Torque	N.m	35.8/70	35.8/70	143/191	143/191
	X axis	/	2-35	2-45	2-45	2-45
Guide	Y axis	/	2-45	2-45	4-45	4-45
	Z axis	/	2-45	2-45	2-45	2-45
	Tool magazine capacity	/	24	24	24	24
Tool	Spindle taper	/	BT40	BT40	BT50	BT-50
	Maxi tool dia. (With/without adjacent tool)	mm	Φ75/Φ150	Φ75/Φ150	Φ105/Φ210	Φ105/Φ210
	Maxi tool length	mm	250	250	300	300
	Max tool weight	kg	7	7	18	18
Feeding rate	x/y/z rapid speed rate	m/min	36/36/36	30/30/30	20/20/16	20/20/16
	x/y/z feeding rate	mm/min	1-10000	1-10000	1-10000	1-10000
Accuracy	Positioning accuracy	mm	0.008	0.010	0.012	0.015
	Repeatability	mm	0.005	0.007	0.008	0.008
Size	Machine size(length*width*height)	mm	2240*3100*2900	2700*3300*2950	3900*2840*3320	4290*3120*3350
	Machine weight	kg	5200	7500	11000	13000
Power source	Power supply(380VAC,50HZ)	KVA	25	30	40	40
	Gas source flow	L/min	280(ANR)	280(ANR)	280(ANR)	280(ANR)
	Gas source pressure	MPa	0.5-0.8	0.5-0.8	0.5-0.8	0.5-0.8

Agent

TRUE TECH MACHINERY CO.,LTD.

288 Bangkhuntien-Chaitalay Rd. Samaedam Bangkhuntien Bangkok 10150 Thailand. Fax : 02-892-0044 Tel : 02-892-1588

E-mail: marketing@truetechmachinery.co.th

TAIKAN VERTICAL

MACHINING CENTER

HIGH SPEED AND HIGH EFFICIENCY VERTICAL MACHINING CENTER

T-1585L

Taikan



Z axis adopts rectangular hard rail, which has cutting rigidity. Under heavy cutting condition, it still has good dynamic performance, good shock absorption effect and stable machining quality.

Three-axis adopts No.45 roller guide, Yaxis 4-track and xaxis 6-slide design, which effectively reduces the suspension deformation of the saddle, improves the load capacity and heavy cutting rigidity.

ITEM	T-850L	T-1060L	ITEM	T-1375L	T-1585L
BT40 belt type 8000rpm	STANDARD	STANDARD	BT50 belt type 6000rpm	STANDARD	STANDARD
BT40 belt type 10000rpm	OPT	OPT	BT50 direct type 8000rpm	OPT	OPT
BT40 direct type 12000rpm	OPT	OPT	BT50 electric 8000rpm	OPT	OPT
BBT40 electric 15000rpm	OPT	OPT	HSK-A100 electric 12000rpm	OPT	OPT
HSK-A63 electric 20000rpm	OPT	OPT	BBT40 electric 15000rpm	OPT	OPT
CTS 20MP/5MP	OPT	OPT	HSK-A63 electric 18000rpm	OPT	OPT
FANUC 0I-MF(3)	OPT	OPT	BT50 gear head	OPT	OPT
FANUC 0I-MF(5)	OPT	OPT	CTS 20MP/5MP	OPT	OPT
Mitsubishi M80A	STANDARD	STANDARD	FANUC0I-MF(3 or 5)	STANDARD/OPT	STANDARD/OPT
Siemens828D	OPT	OPT	Mitsubishi M80A	OPT	OPT
4th axis	OPT	OPT	Siemens828D	OPT	OPT
Roller linear rail	STANDARD	STANDARD	4th axis	OPT	OPT
24TDISC tool magazineBT40	STANDARD	STANDARD	Roller linear rail	STANDARD	STANDARD
30TDISC tool magazineBT40	OPT	OPT	24TDISC tool magazineBT50	STANDARD	STANDARD
Spindle cooling	STANDARD	STANDARD	Spindle cooling	STANDARD	STANDARD
Screw center cooling	STANDARD	STANDARD	Screw center cooling	STANDARD	STANDARD

Three-axis screw adopts the central oil cooling and double nut configuration to eliminate the hot extension and reverse clearance of the screw, so as improve the processing accuracy of the product. As the screw is fully cooled, the wear caused by the heating is reduced, the service life of the screw rod is improved, and the long-term stability is maintained.

Equipped with high-speed and high-precision M80A, or FANUC (package 3 or 1), with mold function, it can meet the requirements of complex surface machining.

The spindle adopts BBT form (optional) the end face and the radial force are simultaneously stressed, which increases the cutting rigidity of the tool.

Schneider for electrical components, SMC brand for pneumatic components in Japan. The machine tool adopts double screw chip removal, which is automatic, humanized and efficient.

Item	Parameter	Unit	T-850L	T-1060L	T-1375L	T-1585L
Traveling	X axis	mm	800	1050	1300	1500
	Y axis	mm	500	600	750	850
	Z axis	mm	530	580	650	720
	The distance from spindle end face to working table	mm	110-640	130-710	100-750	100-820
Working table	Working table size	mm	1000*500	1200*600	1400*750	1600*850
	Maximum loading	kg	600	800	1250	1750
Spindle	Max spindle speed	rpm	Belt type8000	Belt type8000	Belt type6000	Belt type6000
	Spindle power	kw	7.5/11	7.5/11	15/18.5	15/18.5
	Torque	N.m	35.8/70	35.8/70	143/191	143/191
Guide	X axis	/	2-35	2-45	2-45	2-45
	Y axis	/	2-45	2-45	4-45	4-45
	Z axis	/	Hard rail	Hard rail	Hard rail	Hard rail
Tool	Tool magazine capacity	/	24	24	24	24
	Spindle taper	/	BT40/Φ150	BT40/Φ150	BT50	BT-50
	Maxi tool dia. (With/without adjacent tool)	mm	Φ75/Φ150	Φ75/Φ150	Φ112/Φ200	Φ112/Φ200
	Maxi tool length	mm	250	250	300	300
Feeding rate	Max tool weight	kg	7	7	18	18
	x/y/z rapid speed rate	m/min	30/30/20	30/30/20	20/20/15	20/20/15
Accuracy	x/y/z feeding rate	mm/min	1-10000	1-10000	1-10000	1-10000
	Positioning accuracy	mm	0.008	0.008	0.012	0.015
Size	Repeatability	mm	0.005	0.005	0.008	0.008
	Machine size(length*width*height)	mm	2200*3165*2900	2700*3300*2950	3900*2840*3320	4290*3120*3350
	Machine weight	kg	5000	7500	11000	13000
Power source	Power supply(380VAC50HZ)	KVA	25	25	40	40
	Gas source flow	L/min	280(ANR)	280(ANR)	280(ANR)	280(ANR)
	Gas source pressure	MPa	0.5-0.8	0.5-0.8	0.5-0.8	0.5-0.8

Agent

TRUE TECH MACHINERY CO.,LTD.

288 Bangkhuntien-Chaitalay Rd. Samaedam Bangkhuntien Bangkok 10150 Thailand. Fax : 02-892-0044 Tel : 02-892-1588

E-mail: marketing@truetechmachinery.co.th

TAIKAN VERTICAL

MACHINING CENTER

DOOR TYPE HIGH SPEED MACHINE

T-M950



HIGH RIGID STRUCTURE

Beam and column integrated wall structure, high rigidity. Five heavy-duty structural designs, multiple heat treatment processes for casting, and roller line guides as standard. Compared with traditional C-type vertical plus, the main shaft cantilever is shorter, so chip force is stable. No vibration, and high surface finish during processing.

THERMAL STABILITY

The three-axis screw adopts the center oil cooling and double nut configuration, which eliminates the heat extension and backlash of the screw, thereby improving the processing accuracy of the product. Because the screw is fully cooled, the wear caused by heat is reduced. Which prolongs the service life of the screw rod and keeps the stability for a long time.

High-speed and high-precision: The advanced high-speed electric spindle is 18000rpm. The spindle is equipped with a high-power refrigeration system to keep the spindle running at high speed for a long time. The thermal extension is effectively controlled to ensure high-precision processing.

OPERATION TECHNOLOGY

Equipped with Siemens 828D high-precision high-speed system or FANUC (1 package) system. Through electrical secondary upgrade, it solves the problems of geometrical differences and high-light quality of processing parts in the processing process. Can achieve in-machine measurement, real-time correction.

STANDARD OPTIONS

Siemens 828D	18000rpm Electric spindle(HSK-A63)	Triaxial screw oil cooled	Mould package
20T tool magazine capacity	Buit-in double screw chip	Air dryer	Rigid tapping
Electric cabinet air conditioner	Automatic lubrication syetem	Chip cooling system	Spindle oil cooler

OPTIONAL ITEMS

FANUC(1)	24000rpm Electric spindle (HSK-A63)	Tree-axis scale	Overhead spray cooling
30 tool magazine capacity	Blowing cooled	Water cooled	Oil mist cooling device
Oil mist recovery device	Automatic tool length measurement	Lifting chip conveyor and cart	Automatic workpiece measurement

Items	Specification	Unit	T-M950
Working table	Size (LXM)	mm	1000X540
	Max. load	kg	800
	Table height	mm	830
	T-groove(size X number)	mm	5-18*100
Spindle	Spindle type	/	HSK-A63/φ155
	Spindle speed	rpm	Electric spindle18000
Lead screw	Shaft diameter/pitch (XYZ)	mm	4010
linear guide rail	Width(XYZ)	mm	45 roller screw
Travel	X/Y/Z axis travel	mm	900/550/500
	Distance from spindle nose to table	mm	170-670
Feed	Cutting speed	mm/min	1-20000
	Rapid movement speed	/	30/30/30
Accuracy	Positioning accuracy	mm	±0.003(With grating±0.002)
	Repeat positioning accuracy	mm	±0.002(With grating±0.0015)
Automatic tool changer (ATC)	Tool capacity	pc	20
	Max. tool diameter	mm	φ75
	Max. tool diameter(No adjacent tool)	mm	φ115
	Max. tool length	mm	250
	Max. tool weight	kg	8
Motor	Spindle motor	kw	18.5
	X/Y/Z axis servo motor	kw	3.0/3.0/3.0(FANUC)
	Chip conveyor motor	kw	0.2
Dimensions	Length X width X height	mm	2850X3160X3200
	Weight	kg	10000

Agent

TRUE TECH MACHINERY CO.,LTD.

288 Bangkhuntien-Chaitalay Rd. Samaedam Bangkhuntien Bangkok 10150 Thailand. Fax : 02-892-0044 Tel : 02-892-1588

E-mail: marketing@truetechmachinery.co.th

TAIKAN VERTICAL

MACHINING CENTER

HIGH SPEED ENGRAVING AND MILLING MACHINE

Taikan

C-650

C-870



This series of machine tool is suitable for small and medium-size mold finishing, plastic, copper, aluminum alloy product processing. Widely used in shoe mold manufacturing, metallurgy processing, clocks and glasses processing electronic parts, hardware, advertising, handicraft products and other industries.

MAIN FEATURES

- The machine adopts a gantry structure and is cast by Mihana high-grade cast iron. The internal dragon skeleton is strengthened. All cast iron is annealed to ensure high stability and no deformation.
- The machine is heavier than the equivalent model. The sealed outer cover and the double-sided door facilitate product processing and installation of fixtures.
- A control system for high-speed engraving and milling machines developed using Taikan technology. Such as servo motor, linear guides, coupling from Japan, Switzerland, Germany, Taiwan. This reinforces high precision and high efficiency characteristics.
- Steel, copper, aluminum, graphite, plexiglass and other materials can be precision processed.
- The spindle can be cooled by itself during high-speed operation to ensure that heat will not damage the characteristics of the spindle.
- The precise ball screw and linear guide, and the coupling have precise measurements to ensure stability during processing and zero clearance when returning.
- This model can be equipped with a tool magazine according to customer needs to improve production efficiency.



Items		Unit	C-650	C-870
Travel	X-axis	mm	600	690
	Y-axis	mm	500	780
	Z-axis	mm	260	310
Working table size		mm	500x600	800x700
Max. load		kg	350	300
Distance from spindle nose to table		mm	120-380	140-450
Spindle speed		rpm	3000-24000	3000-24000
Spindle collet/Spindle taper		#	ER25/BT30(No keyway)	BT30(No keyway)
Spindle lock method		#	Manual/pneumatic	Pneumatic
Spindle cooling		#	Oil cooling	Oil cooling
X, Y, Z axis servo motor		kw	0.85/0.85/0.85	1.3/1.3/1.3
Spindle motor		kw	5.5(7.5)	5.5(7.5)
Rapid feed rate (X/Y/Z)		mm/min	10	15
Cutting feed		m/min	7.5	8
CNC system resolution		mm	0.001	0.001
Positioning accuracy		mm	0.008/0.008/0.008	0.008/0.008/0.008
Repeatability		mm	0.005/0.005/0.005	0.005/0.005/0.005
Tool setter		#	Standard	Standard
Lubrication system		#	Automatic lubrication system	Automatic lubrication system
Weight		kg	3200	3500
Dimensions (length*width*height)		mm	2080x1910x2480	2460x1850x2500

Agent

TRUE TECH MACHINERY CO.,LTD.

288 Bangkhuntien-Chaitalay Rd. Samaedam Bangkhuntien Bangkok 10150 Thailand. Fax : 02-892-0044 Tel : 02-892-1588

E-mail: marketing@truetechmachinery.co.th

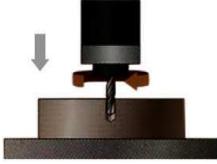
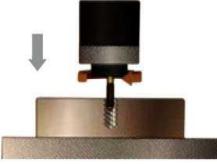
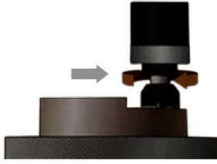
TAIKAN VERTICAL

MACHINING CENTER

HIGH SPEED AND HIGH EFFICIENCY VERTICAL MACHINING CENTER

Taikan

CUTTING PARAMETERS

	Drilling	Tapping	Heavy cutting	
Spindle motor				
7.5/11KW (BT40)	Material (S45C) Tools: D45mmU drill Spindle speed: 1200r/min Feed rate: 100mm/min Cutting depth: 100mm Material removal rate: 450cm ³ /min	Material (S45C) Tools: M22XP2.5 Spindle speed: 200r/min Feed rate: 500mm/min Material removal rate: 40mm	Material (S45C) Tools: D63mm Cutting width: 50.4mm Spindle speed: 1500r/min	Feed rate: 800mm/min Material removal rate: 5mm Material removal rate: 201.6cm ³ /min
		Material (AL6061) Tools: M27XP3 Spindle speed: 200r/min Feed rate: 600mm/min Material removal rate: 40mm	Material (AL6061) Tools: D80mm Cutting width: 64mm Spindle speed: 6000r/min	Feed rate: 5000mm/min Material removal rate: 6mm Material removal rate: 1920cm ³ /min
11/15KW (BT40)	Material (S45C) Tools: D50mmU钻 Spindle speed: 1200r/min Feed rate: 100mm/min Cutting depth: 100mm Material removal rate: 500cm ³ /min	Material (S45C) Tools: M27XP3 Spindle speed: 200r/min Feed rate: 600mm/min Material removal rate: 40mm	Material (S45C) Tools: D63mm Cutting width: 50.4mm Spindle speed: 1500r/min	Feed rate: 800mm/min Cutting depth: 6mm Material removal rate: 2419cm ³ /min
		Material (AL6061) Tools: M33XP3.5 Spindle speed: 100r/min Feed rate: 350mm/min Material removal rate: 40mm	Material (AL6061) Tools: D80mm Cutting width: 64mm Spindle speed: 6000r/min	Feed rate: 5000mm/min Cutting depth: 7mm Material removal rate: 2240cm ³ /min
15/18KW (BT50Belt spindle)	Material (S45C) Tools: D60mmU drill Spindle speed: 1000r/min Feed rate: 80mm/min Cutting depth: 100mm Material removal rate: 480cm ³ /min	Material (S45C) Tools: M33XP3.5 Spindle speed: 100r/min Feed rate: 350mm/min Material removal rate: 40mm	Material (S45C) Tools: D100mm Cutting width: 80mm Spindle speed: 600r/min	Feed rate: 500mm/min Cutting depth: 10mm Material removal rate: 400cm ³ /min
B240MGS A0101B Electric spindle	Material (S45C) Tools: D40mmU drill Spindle speed: 1000r/min Feed rate: 100mm/min Cutting depth: 100mm Material removal rate: 400cm ³ /min	Material (S45C) Tools: M16XP2 Spindle speed: 200r/min Feed rate: 400mm/min Cutting depth: 40mm	Material (S45C) Tools: D63mm Cutting width: 50.4mm Spindle speed: 1500r/min	Feed rate: 800mm/min Cutting depth: 4mm Material removal rate: 1613cm ³ /min
Bt50320 MGS-08A Electric spindle	Material (S45C) Tools: D60mmU drill Spindle speed: 1000r/min Feed rate: 80mm/min Cutting depth: 100mm Material removal rate: 480cm ³ /min	Material (S45C) Tools: M36XP4 Spindle speed: 100r/min Feed rate: 400mm/min Cutting depth: 40mm	Material (S45C) Tools: D100mm Cutting width: 80mm Spindle speed: 580r/min	Feed rate: 500mm/min Cutting depth: 7mm Material removal rate: 280cm ³ /min

Agent

TRUE TECH MACHINERY CO.,LTD.

288 Bangkhuntien-Chaitalay Rd. Samaedam Bangkhuntien Bangkok 10150 Thailand. Fax : 02-892-0044 Tel : 02-892-1588

E-mail: marketing@truetechmachinery.co.th

TAIKAN VERTICAL

MACHINING CENTER

HIGH SPEED AND HIGH EFFICIENCY VERTICAL MACHINING CENTER

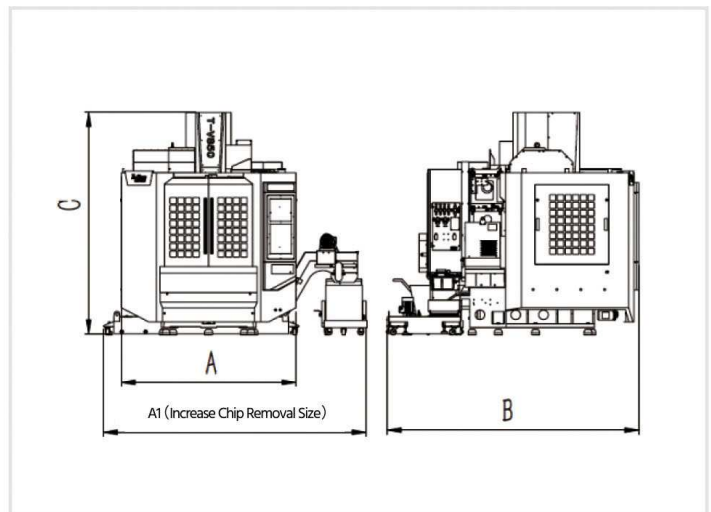
Taikan

CUTTING PARAMETERS

Item	Brands	Remark
System	Mitsubishi/FANUC/SIEMENS	Japan/Germany
Lead screw	PMI/HIWI/THK/INA	Taiwan/Japan/Germany
Guide	PMI/HIWI/THK/NSK	Taiwan/Japan
Spindle bearing	GMN/NSK/SKF/NTN	Japan/Germany
Spindle belt	UNITTA同步带	Japan
Three-axis	NBK	Japan
Automatic lubrication pump	CHENYING	Taiwan
Pumps for CHIP fluid	CHENYING	China
Spindle oil cooler	Tongfei	China
Battery valve	SMC	Japan
Hydraulic station pump	Nachi	Japan
Bearing for screw	FAG/NSK	Germany/Japan
Pneumatic Components	SMC	Japan
Dryer	SMC	Japan
Isolation transformer	SuennLiang/Baojin	China
Wire	LAPP/Helukable	Germany
Connector	Mitsubishi/Fanuc/Saiyang	Japan/China
Heat exchanger	Tongfei	China
Operation panel	Saiyang	China
Band switch	Saiyang	China
Warning light	ONN/WERMA	China
Warning light	Saiyang	China
Contact and circuit breaker	Schneider	France

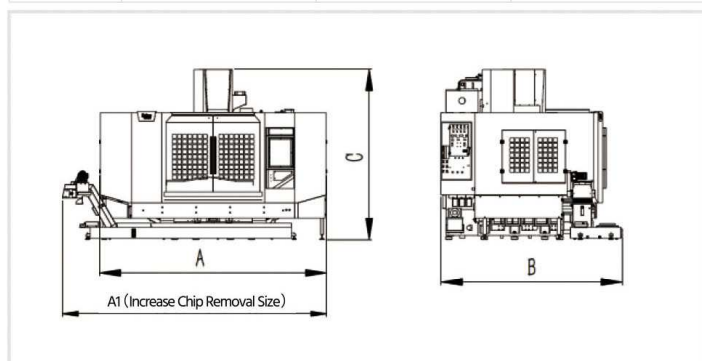
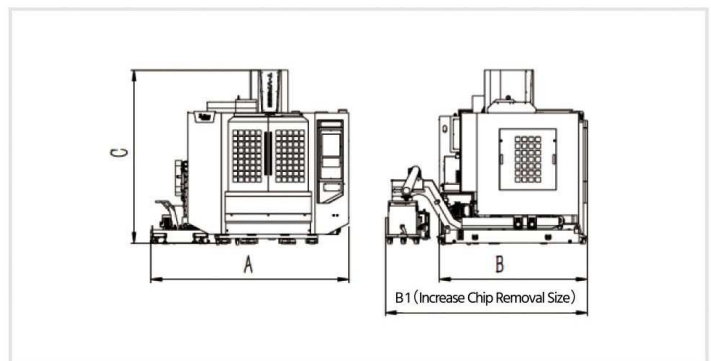
LIST OF MACHINE DIMENSIONS

Model	T-V6	T-V856S T-V856H	T-V1055S	T-850L
A	2100	2240	2500	2200
B	2580	3100	3100	3165
C	2670	2900	2900	2900
A1		3500	3500	3300
Model	T-1060L	T-V1165S T-V1165H	T-V1265S	T-V1270
A	2700	2700	3000	3000
B	3300	3300	3300	3400
C	2950	2950	2950	3160
A1		3400	3400	3500



Model	T-V1375S T-V1375H	T-V1475S	T-V1585S T-V1585H
A	3900	3900	4290
B	2840	2840	3120
C	3320	3320	3350
A1	4450	4450	4990
Model	T-V1685S	T-1375L	T-1585L
A	4290	3900	4290
B	3120	2840	3120
C	3350	3320	3350
A1	4990	4450	4490

Model	T-M950	C-650	C-870
A	2850	2080	2460
B	3160	1910	1850
C	3200	2480	2500



Agent

TRUE TECH MACHINERY CO.,LTD.

288 Bangkhuntien-Chaitalay Rd. Samaedam Bangkhuntien Bangkok 10150 Thailand. Fax : 02-892-0044 Tel : 02-892-1588

E-mail: marketing@truetechmachinery.co.th